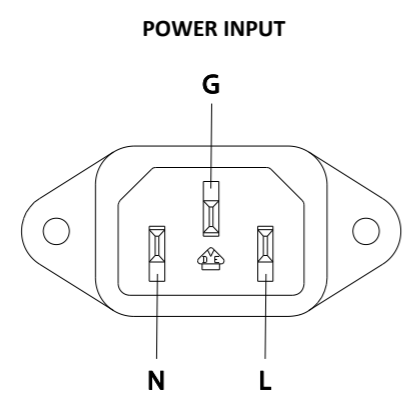
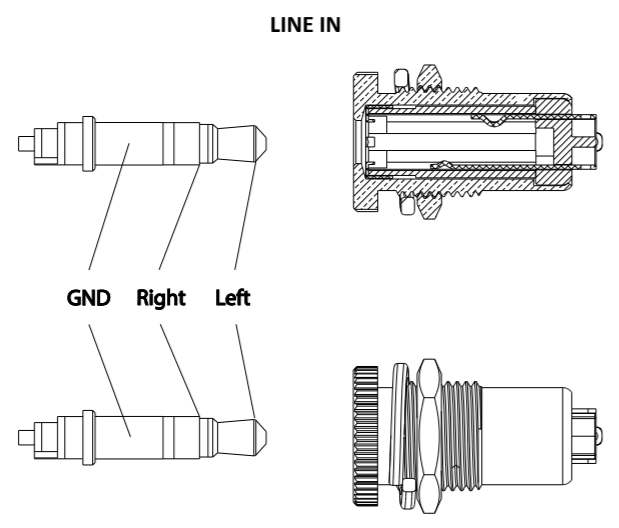
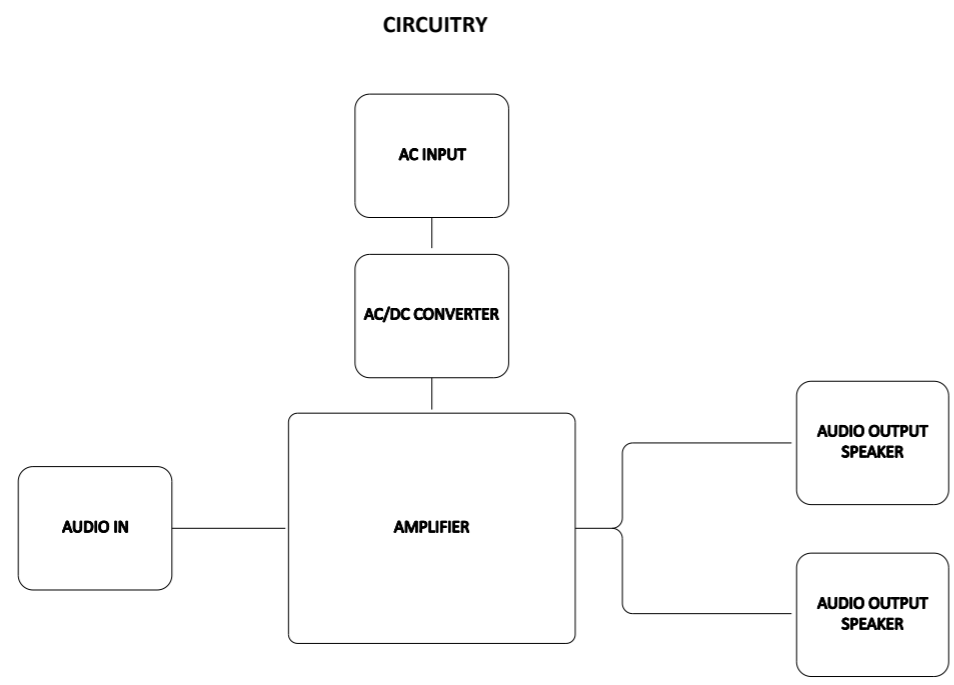
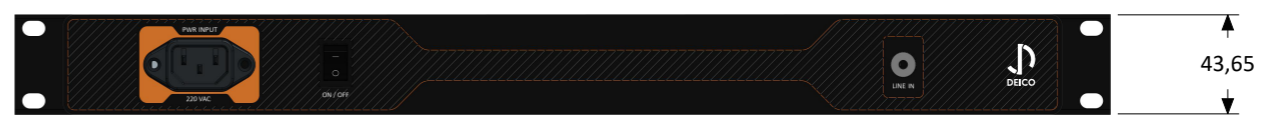


A B C D E F G H

1  
2  
3  
4  
5  
6



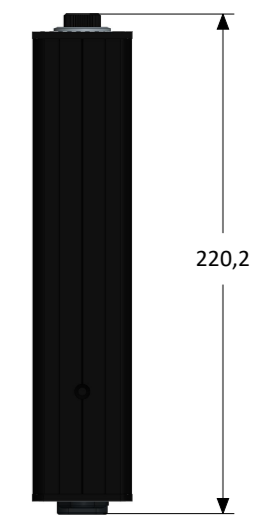
FRONT VIEW



BACK VIEW



BOTTOM VIEW



SIDE VIEW

All intellectual rights regarding this document belong to DEICO Engineering Inc..  
 The document is given on the conditions that it is not reproduced, used for  
 production or other purposes and not shared with third parties without the  
 written permission of DEICO, and receipt of the document means that these  
 conditions are accepted and committed.

**1.0 MECHANICAL SPECIFICATIONS:**  
**1.1 ENCLOSURE MATERIAL:** AL-5754  
 FINISH: POWDER TEXTURED MATTE PAINT, RAL 9005  
 CHEMICAL FILM PER SI-0000-0036, CLASS 2

UNLESS OTHERWISE SPECIFIED ALL DIMENSIONS ARE IN MILLIMETERS.

PRODUCT NAME					 www.deico.com.tr
RACKBEAT 1U RACK MOUNT STEREO AUDIO SPEAKER					
DOCUMENT NAME					SHEET
DE6000 - TECHNICAL DRAWING					
SIZE	SCALE	REVISION	REVISION DATE	SHEET	
A3	3:10	0	24.08.2023	1/1	